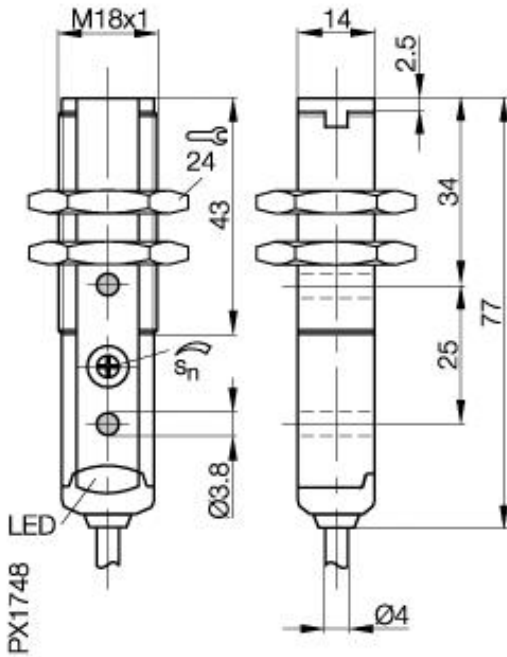


**Photoelectric Sensor**  
**BOS 18KF-PA-1QD-C-02**  
**Sn=4500mm**  
**Retroreflective**



**Common Data**

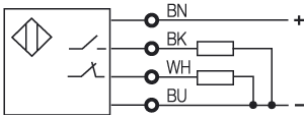
|                                     |                               |
|-------------------------------------|-------------------------------|
| Series                              | 18K                           |
| Sensortype                          | Retroreflective               |
| Switching frequency                 | 1000 Hz                       |
| Rated operating distance Sn in mm   | 4500                          |
| asured operating distance Sa        | 100...4000                    |
| Indication Switching element on     | yes, yellow LED               |
| Indication Special funktion         | LED green Stability indicator |
| Ambient temperature                 | -25...+55°C                   |
| On-delay                            | 0,5ms                         |
| Off-delay                           | < 0,8ms                       |
| Light                               | LED Red light                 |
| Wavelength / Laser protection class | Polarizing filter             |
| Sensitivity Adjustment              | Poti 270°                     |
| Diameter of active zone             | approx.65mm at 3m             |
| Output function                     | light-on or dark-on           |

**Mechanical Data**

|                          |                                 |
|--------------------------|---------------------------------|
| Measurements             | M18x77                          |
| Shock                    | Halfsinus, 30gn, 11ms           |
| Vibration                | 10...55Hz, 1,5mm Amplitude 3x2h |
| Housing material         | PBT                             |
| Material of sensing face | PMMA                            |
| Degree of protection     | IP67                            |
| Connection               | Cable                           |
| Weighth                  | 75g                             |
| Type of Cable            | PVC, 4x0,14mm <sup>2</sup>      |

**Electrical Data**

|                                     |               |
|-------------------------------------|---------------|
| Current                             | DC            |
| Switching function                  | NO/NC         |
| Output                              | PNP           |
| Rated operational voltage Ue        | 24V DC        |
| Rated operational current Ie        | 100mA         |
| Supply Voltage                      | 10...30V DC   |
| Ripple                              | < 10% from UB |
| Frequency of Supply Voltage         | DC            |
| No-load supply current              | <35mA         |
| Voltage drop                        | <2V           |
| Short protection                    | yes           |
| Protected against polarity reversal | yes           |



Utilization categories  
 Insulation class

DC 13

Datasheet number:

Definitions see general catalog.  
 If not otherwise noted, ratings according to  
 IEC 60947-5-2 (DIN EN60947-5-2)

Balluff GmbH  
 Schurwaldstrasse 9  
 73765 Neuhausen a.d.F.  
 Phone (07158) 173-0 Fax (07158) 5010

Datenblatt by CD-ROM - 04/2007

**BALLUFF**  
 sensors worldwide